

TR-NIC

Network Interface Card

The TR-NIC, Network Interface Card, is an optional component of the Triga Series fire alarm control panels. It allows the sub-assemblies to connect to the Broadband network from remote locations:

The TR-NIC card comes standard with network connections using unshielded, twisted-pair, copper wire. The following optional fiber-optic network connections using add-on modules are available.

- TR-FML multi-mode fiber module (optional)
- TR-FSL single-mode fiber module (optional)

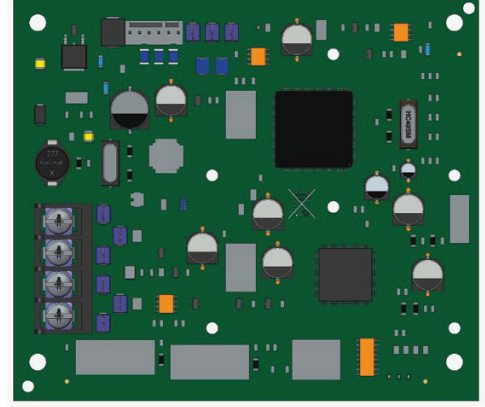
INSTALLATION

The TR-NIC is adaptable for an installation in the standard Triga Series cabinets. Typically, the TR-NIC card is mounted on standoffs under the motherboard. For instructions on the installation of the TR-NIC refer to the Installation Manual.

COMPATIBILITY

The TR-NIC is compatible with the following Triga Series FACP's:

- TR-2100R / TR-2100B
- TR-2100ECSR / TR-2100ECSB
- TR-R2100R / TR-R2100B

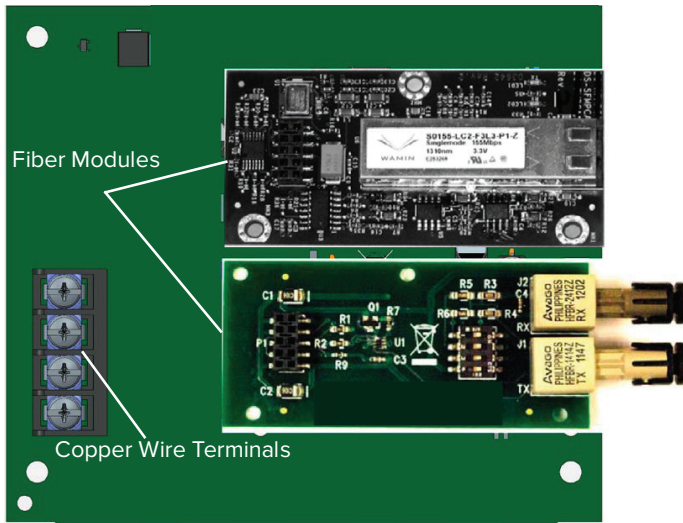


TR-NIC

FEATURES & BENEFITS

- Listed under UL® Standard 864, 9th Edition
- Provides the capability for networked FACPs to connect in Styles 4 or 7 configurations
- Offers standard unshielded, twisted-pair copper wire network connections.
- Provides add-on fiber-optic modules that allow the network connection through single or multi-mode fiber-optic cables
- TR-NIC can be mounted within the FACP cabinet.
- TR-NIC-KIT accessory kit is available if you want to install the TR-NIC outside of the FACP cabinet

Technical Specifications



This document is not intended to be used for installation purposes. We try to keep our product information up-to date and accurate. We cannot cover all specific applications or anticipate all requirements. All specifications are subject to change without notice.

SPECIFICATIONS

ENVIRONMENTAL

Operating Temperature: 32°F to 120°F (0°C to 49°C)

Humidity: 0 to 93% relative humidity (non-condensing)

ELECTRICAL

Operating Voltage: 24VDC

Standby Current: 21mA

Alarm Current: 21mA

WIRING SPECIFICATIONS

Copper Wire: 16 to 18 AWG twisted-pair, unshielded Up to 3,000 ft. (914.4 m) between each node.

Fiber-Optic Cable: (TR-FML only) Up to 200 microns optimized for 62.5/125 microns. Up to 8 dB loss between nodes.

Fiber-Optic Cable: (TR-FSL only) Optimized for 9/125 micrometer cable @ 1310 nm. Up to 30dB loss between nodes.

ORDERING INFORMATION

TR-NIC: Network Interface Card

ACCESSORIES

TR-NIC-KIT: Accessory kit for installing the TR-NIC outside of the FACP cabinet. Includes one TR-NIC Network Card.

TR-FML: Fiber Module, multi-mode

TR-FSL: Fiber Module, single-mode

AGENCY LISTINGS AND APPROVALS

UL listed

FM Approved

NFPA 72 approved

TRIGA Life Safety Systems, LLC

7600 Olde Eight Rd, Hudson, Ohio, United States of America

Tel : +1 330-577-5199, Email: info@trigaglobal.com