

## TR-PULL-SA / TR-PULL-DA

### Addressable Single Action and Dual Action Pull Stations

The TR-PULL-SA is a single action pull station requiring only one motion to activate the station. The TR-PULL-DA is a dual action pull station requiring two motions to activate the station. Both pull stations are designed to work with Triga series fire alarm control panels (FACPs).

#### INSTALLATION

The TR-PULL-SA and TR-PULL-DA can be surface mounted to an SB-I/O surface back box or semi-flush mounted on a standard single-gang with a minimum depth of 2.13" (5.40 cm) or double gang or 4" (10.61 cm) square electrical box. You can also use the optional trim ring if the station is being semi-flush mounted.

#### COMPATIBILITY

The TR-PULL-SA and TR-PULL-DA are compatible with the following Triga Series FACPs:

- TR-2100R / TR-2100B
- TR-2100ECSR / TR-2100ECSB
- TR-R2100R / TR-R2100B



TR-PULL-SA

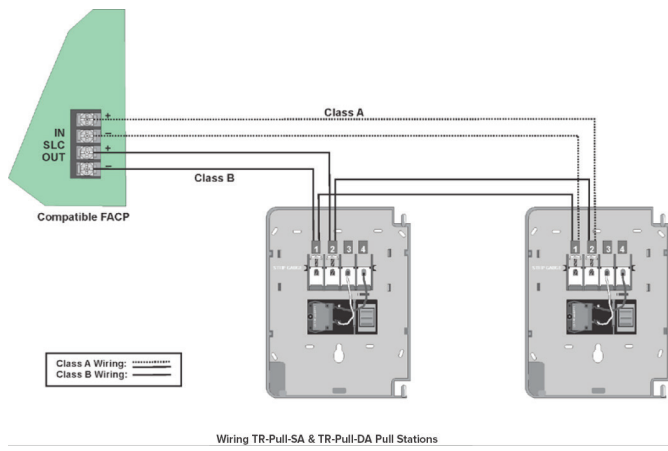


TR-PULL-DA

## FEATURES & BENEFITS

- Installer can open station without causing an alarm condition
- Dual-color LED is visible through handle of station blinks green to indicate normal operation and remains steady red in an alarm condition
- Key operated test and reset lock using lock plate actuator
- Key matches compatible FACP locks
- Meets ADA requirement for 5 lbs maximum pull force to activate
- Meets the Americans with Disabilities Act Accessibility Guidelines (ADAAG) controls and operating mechanisms guidelines (Section 4.1.3[13])
- Shell, door, and handle molded from durable LEXAN®
- Reliable analog communications for trouble-free operation
- Braille text on station handle
- Rotary address switches for fast installation
- Handle latches in down position and the word Activated appears, clearly indicating the station has been pulled
- UL Listed, including UL 38, Standard of Manually Actuated Signaling System
- FM Approved

## Technical Specifications



This document is not intended to be used for installation purposes. We try to keep our product information up-to date and accurate. We cannot cover all specific applications or anticipate all requirements. All specifications are subject to change without notice.

### SPECIFICATIONS\*

**Physical:** 5.5" H x 4" D (14cm x 10.2cm)  
**Shipping Weight:** 5.4oz  
**Housing Material:** LEXAN polycarbonate resin  
**Bi-Colored LED:**  
     **Blinking Green:** Normal  
     **Steady Red:** Alarm  
**Switch:** Single pole, single throw (SPST) normally open (N/O) switch which closes upon activation of the pull station.

### ORDERING INFORMATION

**TR-Pull-SA:** Single Action Pull Station  
**TR-Pull-DA:** Dual Action Pull Station

### ACCESSORIES

**BG-TR:** Optional trim ring.  
**SB-I/O:** Surface backbox, indoor/outdoor.  
 \*Unless otherwise noted, specifications apply to TR-Pull-SA and TR-Pull-DA

### ELECTRICAL RATINGS

**Operating Voltage:** 15 - 32VDC  
**SLC Standby and Alarm Current:** 350µA  
**Wire Gauge:** Up to 12AWG (3.1 mm<sup>2</sup>)

### ENVIRONMENTAL

**Operating Temperature:** 32°-120°F (0°C - 49°C)  
**Humidity:** 10 to 93% non-condensing)

**TRIGA Life Safety Systems, LLC**  
 7600 Olde Eight Rd, Hudson, Ohio, United States of America  
 Tel : +1 330-577-5199, Email: info@trigaglobal.com