

SP-Series Indoor Ceiling Speaker Strobes and Dual Speakers

The SP-Series indoor selectable-output speaker strobes and dual voltage evacuation speakers offer a modern, aesthetic, plug-in design that reduces costly ground faults. The universal mounting plate can be used in ceiling applications and its flexible design enables the installer to pre-wire mounting plates, dress the wires, and confirm wiring continuity before plugging in the speakers. In addition, a protective plastic cover prevents nicked wires by covering exposed speaker components.

These devices also enable faster installations by providing instant feedback to ensure that wiring is properly connected, rotary switches to select voltage and power settings, and 7 field-selectable candela settings for both wall and ceiling speaker strobes.

The low total harmonic distortion of the SP speaker offers high fidelity sound output while still offering high volume sound output for use in high ambient noise applications.



SP-SERIES MAKES INSTALLATION EASY

1. Attach a universal mounting plate to a 4 × 4 × 2 1/8 inch back box
Flush-mount applications do not require an extension ring.
2. Connect the notification appliance circuit or speaker wiring to the terminals on the mounting plate.
3. Attach the speaker or speaker strobe to the mounting plate by inserting the product tabs into the mounting plate grooves.
4. Hinge the device into position to lock the product pins into the mounting plate terminals.
5. A catch temporarily holds the device in place until you secure the device with a captured mounting screw.

FEATURES & BENEFITS

- Plug-in design and protective cover reduce ground faults
- Universal mounting plate with an onboard shorting spring tests wiring continuity before installation
- No extension ring required
- Field selectable candela settings on ceiling units: 15, 30, 75, 95, 115, 150, and 177
- Automatic selection of 12 or 24 voltoperation at 15 and 30 candela
- Rotary switch simplifies field selection of speaker voltage (25 and 70.7 Vrms) and power settings (1/4, 1/2, 1 and 2 watts)
- Speakers offer high fidelity and high volume sound output
- Compatible with System Sensor synchronization protocol
- Electrical compatibility with existing SpectrAlert and SpectrAlert Advance products
- Designed with a tamper-resistant construction
- Built with a updated modern design

SP-SERIES SPEAKER AND SPEAKER STROBE SPECIFICATIONS / ARCHITECT & ENGINEER SPECIFICATIONS

GENERAL

SP-Series speaker and speaker strobes shall mount to a 4 × 4 × 2 1/8-inch back box. A universal mounting plate shall be used for mounting ceiling and wall products. The notification appliance circuit and amplifier wiring shall terminate at the universal mounting plate. Also, SP-Series speaker strobes, when used with the Sync •Circuit™ Module accessory, shall be powered from a non-coded notification appliance circuit output and shall operate on a nominal 12 or 24 volts. When used with the Sync •Circuit Module, 12-volt rated notification appliance circuit outputs shall operate between 8.5 and 17.5 volts; 24-volt rated notification appliance circuit outputs shall operate between 16.5 and 33 volts. Indoor SP-Series products shall operate between 32°F and 120°F from a regulated DC, or full-wave rectified, unfiltered power supply. Speaker strobes shall have field-selectable candela settings including 15, 30, 75, 95, 115, 150, 177.

SPEAKER

The speaker shall be a Triga SP-Series model _____ dual-voltage transformer speaker capable of operating at 25.0 or 70.7 nominal Vrms. It should be listed to UL 1480 and shall be approved for fire protective service. The speaker shall have a frequency range of 400 to 4,000 Hz and shall have an operating temperature between 32°F and 120°F. The speaker shall have power taps and voltage that are selected by rotary switches.

SPEAKER STROBE COMBINATION

The speaker strobe shall be a Triga SP-Series model _____ listed to UL1480 and UL 1971 and be approved for fire protective signaling systems. The speaker shall be capable of operating at 25.0 or 70.7 nominal Vrms selected via rotary switch, and shall have a frequency range of 400 to 4,000 Hz. The speaker shall have power taps that are selected by rotary switch. The strobe shall comply with the NFPA 72 requirements for visible signaling appliances, flashing at 1 Hz over the strobe's entire operating voltage range. The strobe light shall consist of a xenon flash tube and associated lens/reflector system.

SYNCHRONIZATION MODULE

The module shall be a System Sensor Sync •Circuit model MDL3 listed to UL 464 and shall be approved for fire protective service. The module shall synchronize Spectr Alert strobes at 1 Hz. The module shall mount to a 4 1/16 × 4 1/16 × 2 1/8 inch back box. The module shall also control two Style Y (class B) circuits or one Style Z (class A) circuit. The module shall synchronize multiple zones. Daisy chaining two or more synchronization modules together will synchronize all the zones they control. The module shall not operate on a coded power supply.

PHYSICAL DIMENSIONS, CEILING-MOUNT

SPC Speaker: 6.8" diameter x 1.0"D (173mm x 25 mm)

With Surface Mount Back Box: 6.9" diameter x 3.5"D (176 mm x 89 mm)

SPSC Speaker Strobe: 6.8" diameter x 8"D (173 mm x 73 mm)

With Surface Mount Back Box: 6.9" diameter x 5.37"D (176 mm x 136 mm)

ELECTRICAL

Nominal Voltage (speakers): 25 Volts or 70.7 Volts (nominal)

Maximum Supervisory Voltage (speakers): 50 VDC

Strobe Flash Rate: 1 flash per second

Nominal Voltage (strobes): Regulated 12 VDC or regulated 24 VDC/FWR

Operating Voltage Range (includes fire alarm panels with built in sync): 8 to 17.5 V (12 V nominal) or 16 to 33 V (24 V nominal)

Operating Voltage with MDL3 Sync Module: 8.5 to 17.5 V (12 V nominal) or 16.5 to 33 V (24 V nominal)

Frequency Range: 400 to 4,000 Hz

Power: 1/4, 1/2, 1, 2 watts

ENVIRONMENTAL

Standard Operating Temperature: 32°F to 120°F (0°C to 49°C)

Humidity Range: 10 to 93% non-condensing

AGENCY LISTINGS AND APPROVALS

UL: Listed

UL MAX STROBE CURRENT DRAW (mA RMS)

CANDELA	8-17.5V	16-33V	FWR
	DC	DC	
15	87	41	60
30	153	63	86
75	N/A	111	142
95	N/A	134	164
115	N/A	158	191
150	N/A	189	228
177	N/A	226	264

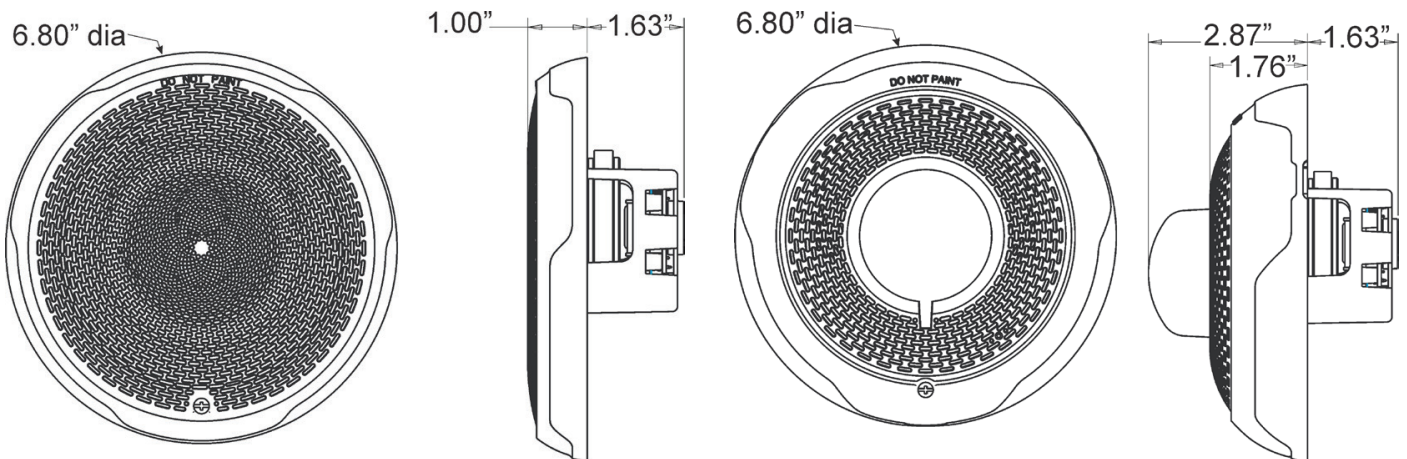
CEILING-MOUNT SPEAKER SOUND OUTPUT

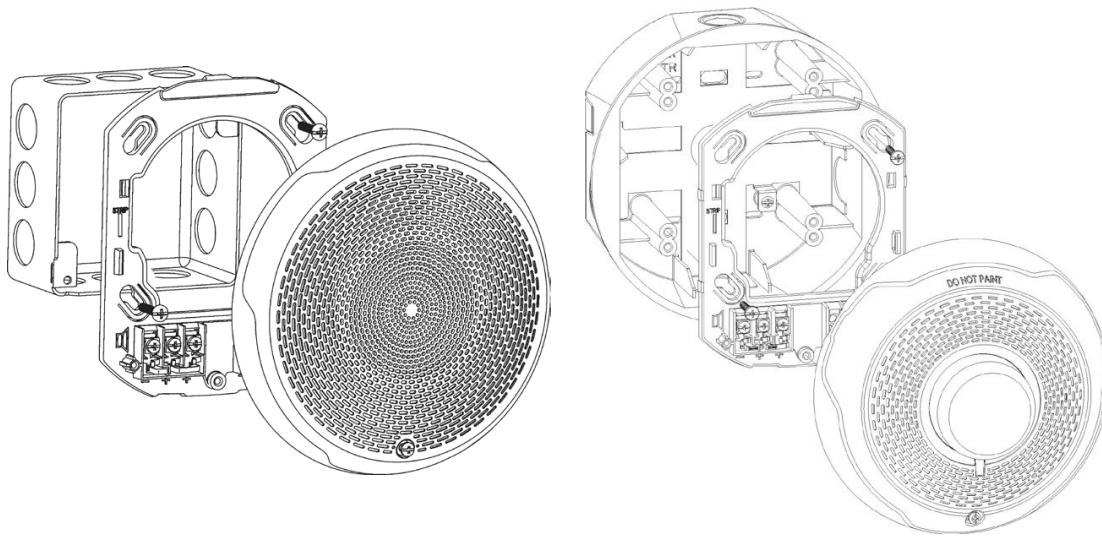
SETTING	UL REVERBERANT (dBA @10 FT)	UL ANECHOIC (dBA @10 FT)
¼ W	79	79
½ W	82	82
1 W	85	85
2 W	88	88

CEILING-MOUNT SPEAKER STROBE SOUND OUTPUT

SETTING	UL REVERBERANT (dBA @10 FT)	UL ANECHOIC (dBA @10 FT)
¼ W	77	77
½ W	80	80
1 W	83	83
2 W	86	86

SPEAKER DIMENSIONS





Microsoft, Windows, and the Windows Logo are registered trademarks Microsoft Corporation. This document is not intended to be used for installation purposes. We try to keep our product date and accurate. We cannot cover all specific applications or anticipate all requirements. All specifications are subject to change without notice.

CEILING MOUNT SPEAKER AND SPEAKER STROBE WITH TR-SBBCRL/TR-SBBCWL SURFACE MOUNT BACK

ORDERING INFORMATION

CEILING MOUNT

- TR-SPCWL: Speaker only, White
- TR-SPCRL: Speaker only, Red
- TR-SPSCWL: Speaker Strobe, White
- TR-SPSCRL: Speaker Strobe, Red
- TR-SPSCWL-P: Plain, Speaker Strobe

ACCESSORIES

- SBBCWL: Universal Ceiling SurfaceMount Back Box, White
- SBBCRL: Universal Ceiling Surface Mount Back Box. Red
- TRC-2W: Universal Ceiling Trim Ring. White
- TRC-2: Universal Ceiling Trim Ring. Red

TRIGA Life Safety Systems, LLC
7600 Olde Eight Rd, Hudson, Ohio, United States of America
Tel : +1 330-577-5199, Email: info@trigaglobal.com