

TR-RELAY Relay Module

SPECIFICATIONS

Normal Operating Voltage:	15 to 32 VDC
Maximum Current Draw:	6.5 mA (LED on)
Average Operating Current:	230µA direct poll; 255µA group poll
EOL Resistance:	Not used
Temperature Range:	32°F to 120°F (0°C to 49°C)
Humidity:	10% to 93% Non-condensing
Dimensions:	4.675" H x 4.275" W x 1.4" D (11.88 cm H x 10.86 cm W x 3.175 cm D) (Mounts to a 4"/10.16 cm square by 2 1/8"/5.4cm deep box.)
Accessories:	TR-SMB500-WH Electrical Box

RELAY CONTACT RATINGS

CURRENT RATING	MAXIMUM VOLTAGE	LOAD DESCRIPTION	APPLICATION
2 A	25 VAC	PF = 0.35	NON-CODED
3 A	30 VDC	RESISTIVE	NON-CODED
2 A	30 VDC	RESISTIVE	CODED
0.46 A	30 VDC	(L/R = 20MS)	NON-CODED
0.7 A	70.7 VAC	PF = 0.35	NON-CODED
0.9 A	125 VDC	RESISTIVE	NON-CODED
0.5 A	125 VAC	PF = 0.75	NON-CODED
0.3 A	125 VAC	PF = 0.35	NON-CODED

BEFORE INSTALLING

This information is included as a quick reference installation guide. Refer to the appropriate Triga control panel installation manual for detailed system information. If the modules will be installed in an existing operational system, inform the operator and local authority that the system will be temporarily out of service. Disconnect power to the control panel before installing the modules.

NOTICE: This manual should be left with the owner/user of this equipment.

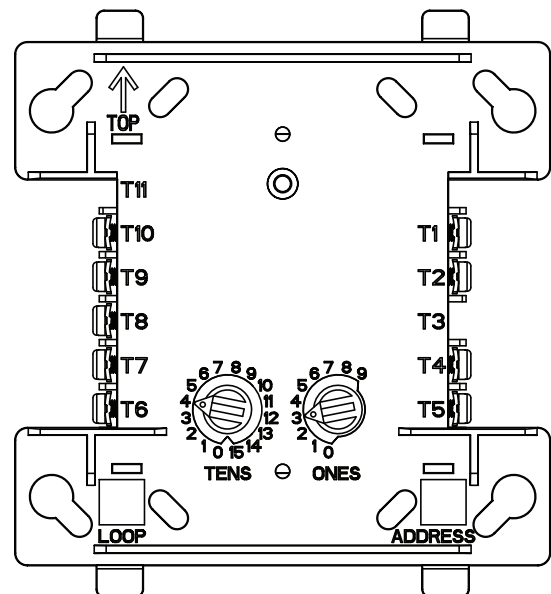
GENERAL DESCRIPTION

The TR-RELAY is intended for use in intelligent, two-wire systems where the individual address of each module is selected using the built-in rotary switches. It allows a compatible control panel to switch discrete contacts by code command. The relay contains two isolated sets of Form-C contacts, which operate as a DPDT switch and are rated in accordance with the table in the manual. Circuit connections to the relay contacts are not supervised by the module. The module also has a panel controlled LED indicator.

COMPATIBILITY REQUIREMENTS

To ensure proper operation, this module shall be connected to a compatible Triga system control panel (list available from Triga).

FIGURE 1. CONTROLS AND INDICATORS



C1071-00

MOUNTING

The TR-RELAY mounts directly to 4" (10.16 cm) square electrical boxes. (See Figure 2A.) The box must have a minimum depth of 2 1/8" (5.4 cm). Surface mounted electrical boxes (TR-SMB500-WH) are available. The module can also mount to the TR-DNR(W) housing.

FIGURE 2A. MODULE MOUNTING WITH BARRIER

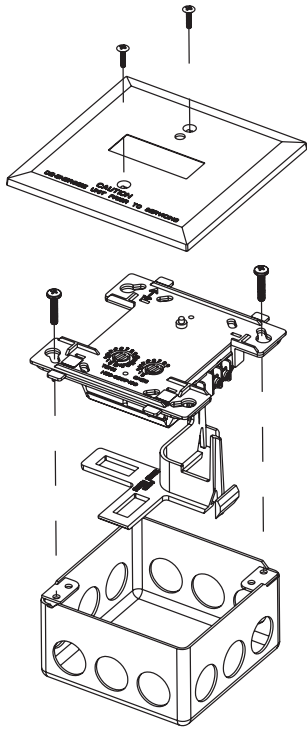
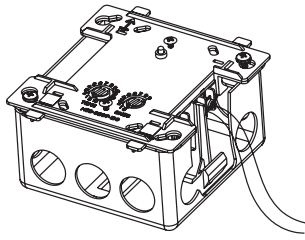


FIGURE 2B.



WIRING

NOTE: All wiring must conform to applicable local codes, ordinances, and regulations. When using control modules in nonpower limited applications, the TR-CB500 Module Barrier must be used to meet UL requirements for the separation of power-limited and nonpower-limited terminals and wiring. The barrier must be inserted into a 4" x 4" x 2 1/8" (10.16 cm x 10.16 cm x 5.4 cm) junction box, and the control module must be placed into the barrier and attached to the junction box. (See Figure 2A.) The power-limited wiring must be placed into the isolated quadrant of the module barrier. (See Figure 2B.)

1. Install module wiring in accordance with the job drawings and appropriate wiring diagrams.
2. Set the address on the module per job drawings.
3. Secure module to electrical box (supplied by installer), as shown in Figure 2A.

Wire should be stripped to the appropriate length (recommended strip length is 1/4" to 3/8" (6.4 mm to 9.5 mm)). Exposed conductor should be secured under the clamping plate and should not protrude beyond the terminal block area. Caution: Do not loop wire under terminals. Break wire run to provide supervision of connections.

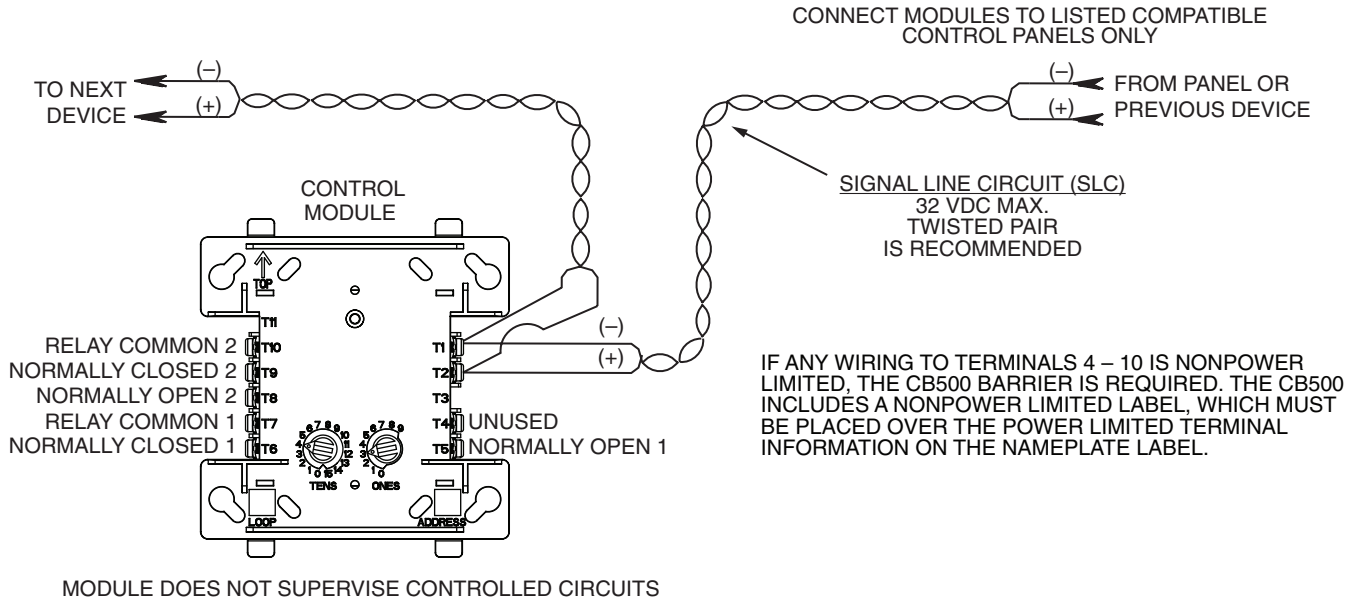
NOTE: All references to power limited represent "Power Limited (Class 2)".

WARNING

All relay switch contacts are shipped in the standby state (open) state, but may have transferred to the activated (closed) state during shipping. To ensure that the switch contacts are in their correct state, modules must be made to communicate with the panel before connecting circuits controlled by the module.

C1070-00

FIGURE 3. RELAY MODULE WIRING DIAGRAM



*NOTE: ANY FAULT IN THE POWER SUPPLY IS LIMITED TO THAT ZONE AND DOES NOT RESULT IN A FAULT IN A SEPARATE ZONE.

C0946-00

DEVICE AND SYSTEM SECURITY

Before installing this product ensure that the tamper seal on the packaging is present and unbroken and the product has not been tampered with since leaving the factory. Do not install this product if there are any indications of tampering. If there are any signs of tampering the product should be returned to the point of purchase. It is the responsibility of the system owner to ensure that all system components, i.e. devices, panels, wiring etc., are adequately protected to avoid tampering of the system that could result in information disclosure, spoofing, and integrity violation.