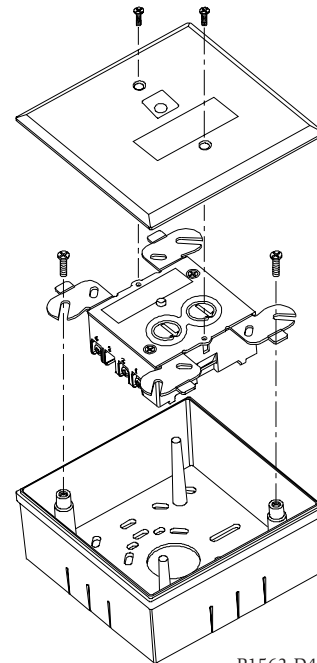


## TR-SMB500-WH Surface Mount Box

**Notice:** This manual should be left with the owner/user of this equipment.

1. If surface mount conduit is to be used, predrill a hole in the side of the surface mount box at one of the drill centers provided.
2. Secure the surface mount box to the wall with screws and plastic anchors (provided) or to a junction box (screws not provided).
3. Wire the module according to the module instructions.
4. Assemble the module to the surface mount box with the short screws provided.
5. Fasten the cover plate to the module, using the screws provided with the module.

**NOTE:** For UL installations where multiple conduit entries are used, install RACO Model 1262 (1/2") or 1263 (3/4") grounding bushings to maintain proper system ground. Hub shall be connected to the conduit before the hub is connected to the enclosure.



P1562-D4